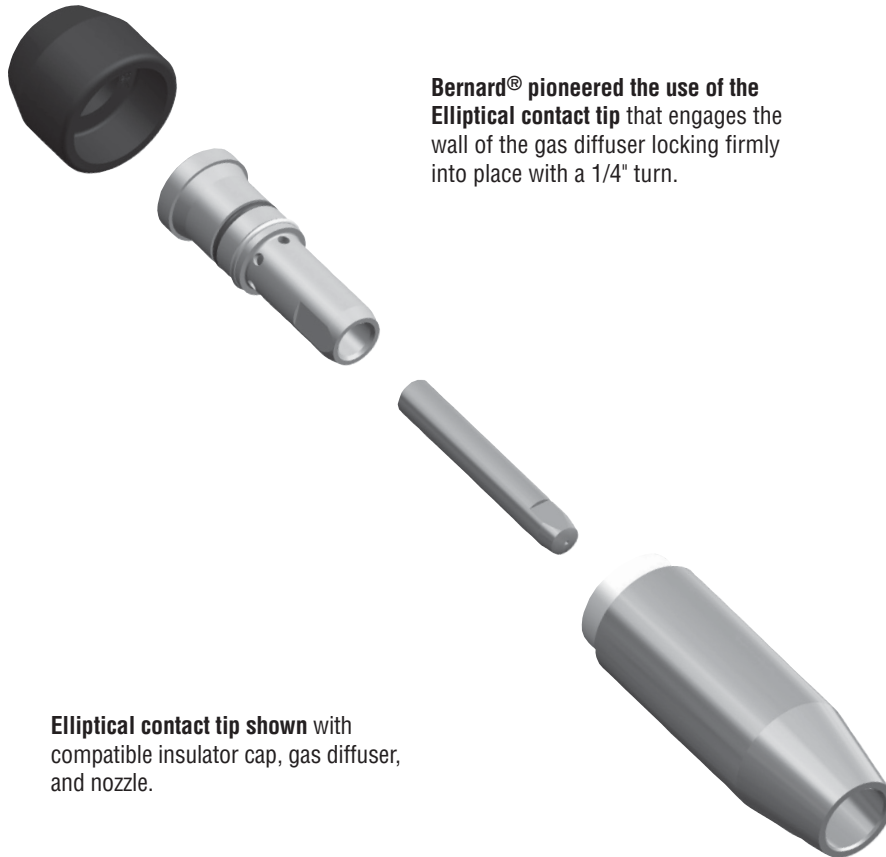


Elliptical Series

Nozzles, Tips, Diffusers

Issued September 2023 • Index No. SPEC EL-1.4



Bernard® pioneered the use of the Elliptical contact tip that engages the wall of the gas diffuser locking firmly into place with a 1/4" turn.

Elliptical contact tip shown with compatible insulator cap, gas diffuser, and nozzle.

All Consumables are Not Created Equal.

It's important to choose longer lasting consumables. They can make the difference between repeated consumable replacement and rework, or more arc time and better bottom line.

No threads- Elliptical shape quickly locks in place with a 1/4" turn for quick replacement.

Elliptical tip design provides adjustable tip to work distance and allows for fast and easy changeover.

Elliptical tips have a much longer surface area for electrical and heat transfer than fine threaded tips for extended tip life.

Wide variety of standard slip-on nozzles to fit any application

Heavy-duty two-piece copper insulator nozzles are ideal for high heat and mixed gas applications.

Heavy-duty gas diffusers for greater heat dissipation, allowing smooth gas flow and long life.

Fit all Best of the Best MIG Guns - from 200 - 600 Amps.

Made with
Pride and without
Compromise in the **USA**

Bernard

A Division of Miller Electric Mfg. Co.
449 West Corning Road, Box 667
Beecher, Illinois 60401 USA

Phone: 1-855-MIGWELD (644-9353) (US & Canada)

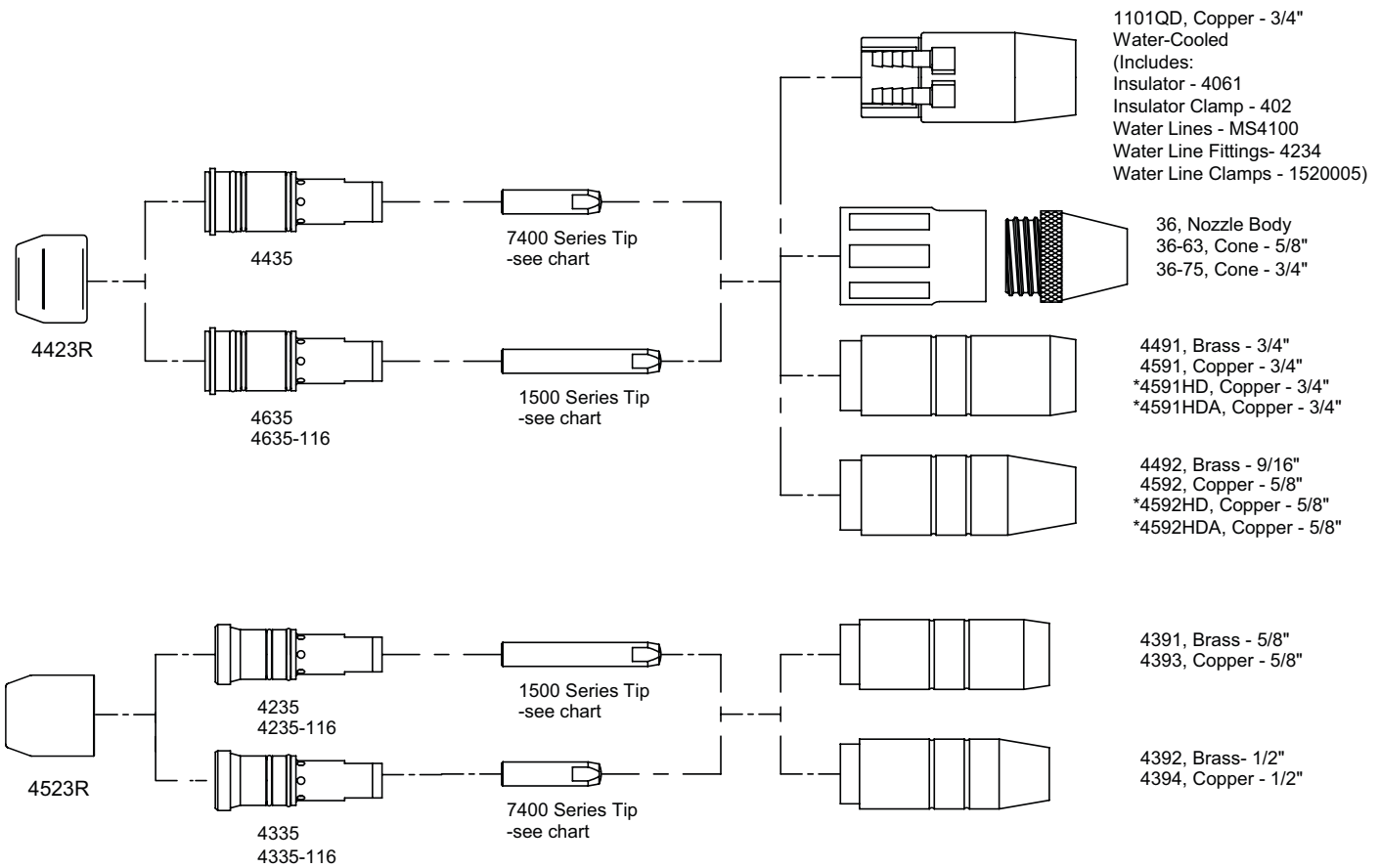
+1-519-737-3030 (International)

Fax: 708-946-6726

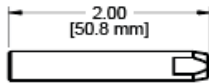
For more information, visit us at Tregaskiss.com

BERNARD®

Available Parts

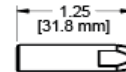


1500 Series Tip



1589	.035" (.9 mm)
1590	.045" (1.2 mm)
1598	.052" (1.4 mm)
1591	1/16" (1.6 mm)

7400 Series Tip



7489	.035" (.9 mm)
7490	.045" (1.2 mm)
7498	.052" (1.4 mm)
7491	1/16" (1.6 mm)

*Elliptical Series nozzles with "HD" at the end of the part number perform best in high heat applications. Those with "HDA" at the end of the part number perform best in high spatter applications.

