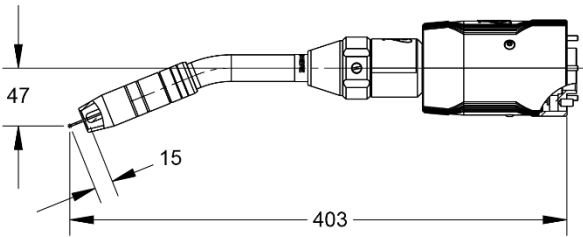
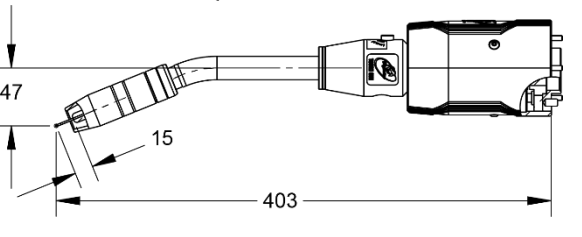
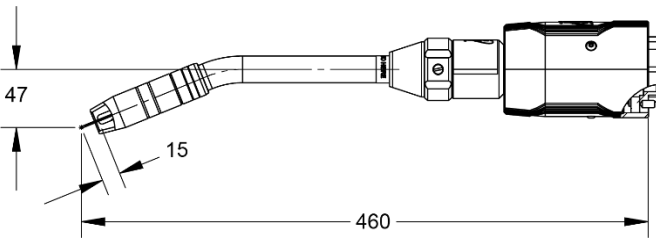
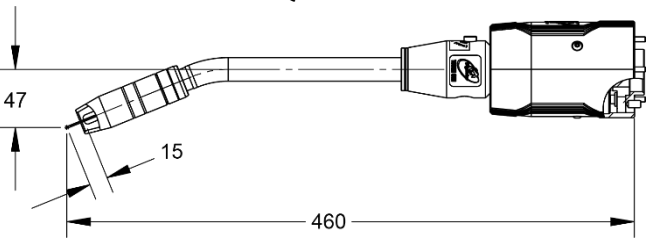
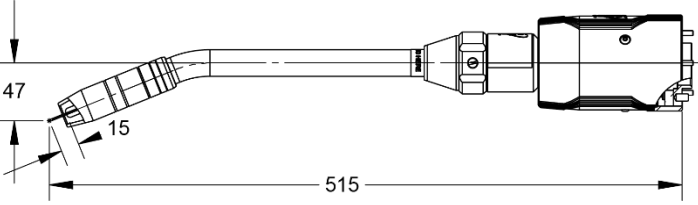
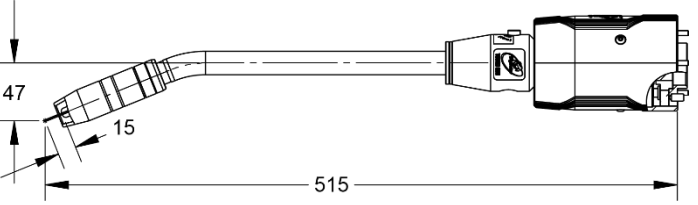


# TOUGH GUN™ TA3 Robotic Air-Cooled MIG Gun

## Cross Reference Configurations

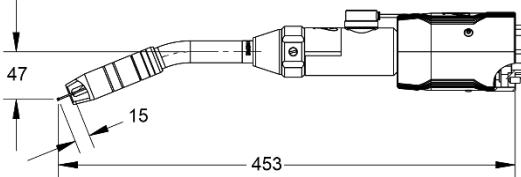
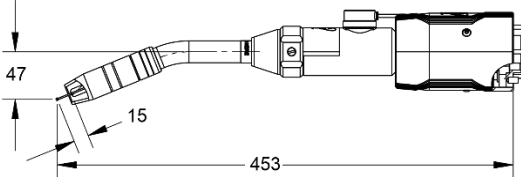
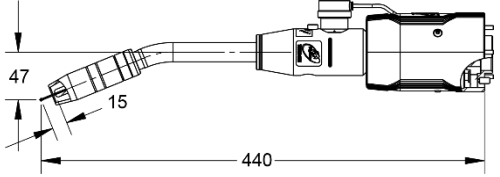
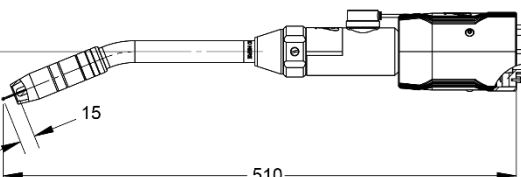
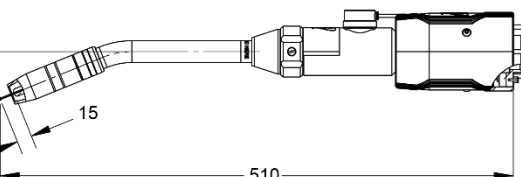
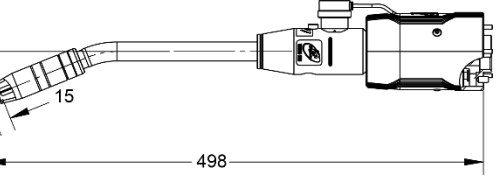
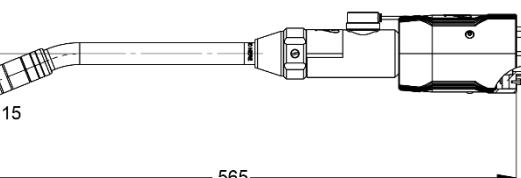
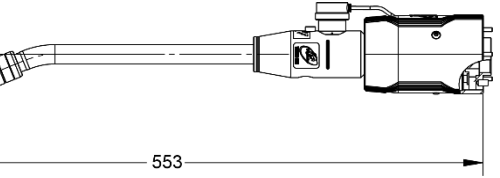
### 22 Degree Necks – Clutch

TOUGH GUN™ ThruArm™ G2 Series	TOUGH GUN™ TA3 MIG Gun
<p style="text-align: center;"><b>59G22</b></p> 	<p style="text-align: center;"><b>405-22QC</b></p> 
<p style="text-align: center;"><b>59G22L</b></p> 	<p style="text-align: center;"><b>405-22QCL</b></p> 
<p style="text-align: center;"><b>59G22L1</b></p> 	<p style="text-align: center;"><b>405-22QCL1</b></p> 

# TOUGH GUN™ TA3 Robotic Air-Cooled MIG Gun

## Cross Reference Configurations

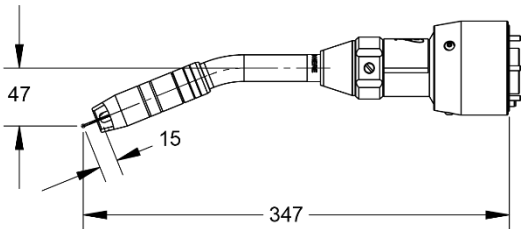
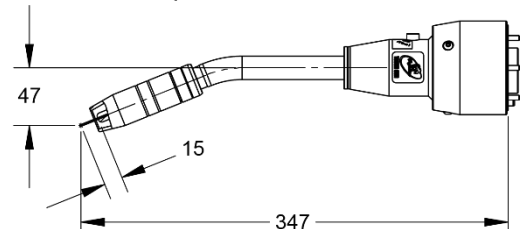
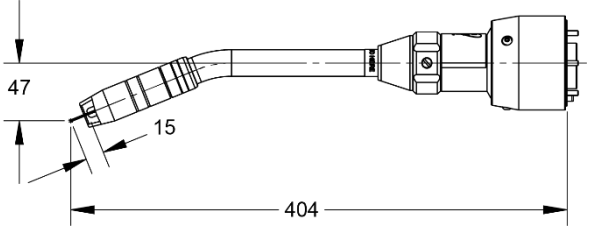
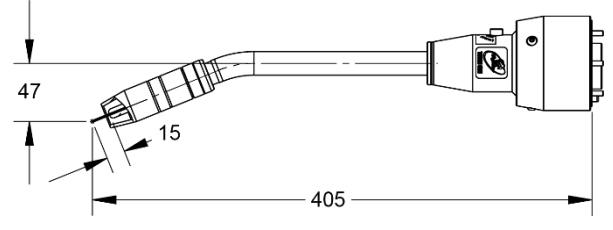
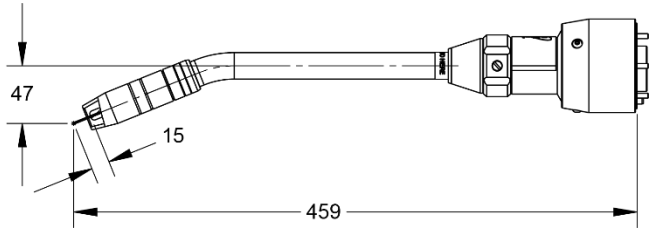
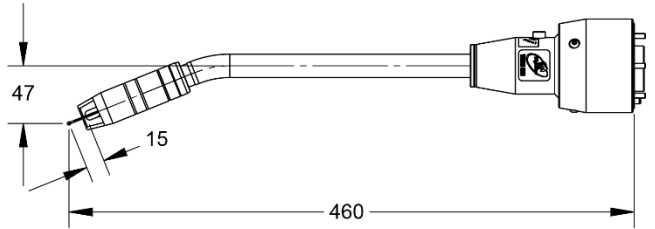
### 22 Degree Necks – Clutch with Wire Brake

TOUGH GUN™ ThruArm™ G2 Series	Direct Replacement	TOUGH GUN™ TA3 MIG Gun
<p><b>59G22</b></p> 	<p><b>405-WB22</b></p> 	<p><b>405-22QC</b></p> 
<p><b>59G22L</b></p> 	<p><b>405-WB22L</b></p> 	<p><b>405-22QCL</b></p> 
<p><b>59G22L1</b></p> 	<p>N/A</p>	<p><b>405-22QCL1</b></p> 

# TOUGH GUN™ TA3 Robotic Air-Cooled MIG Gun

## Cross Reference Configurations

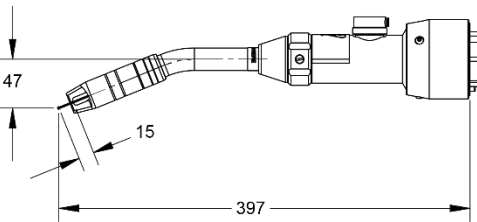
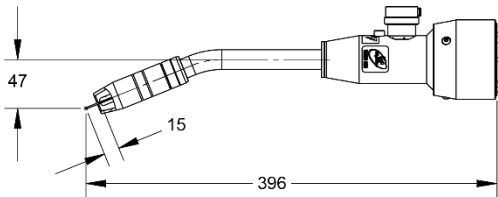
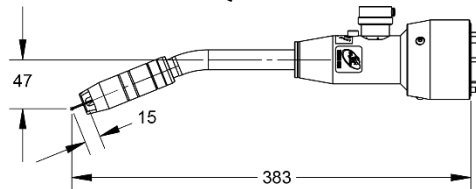
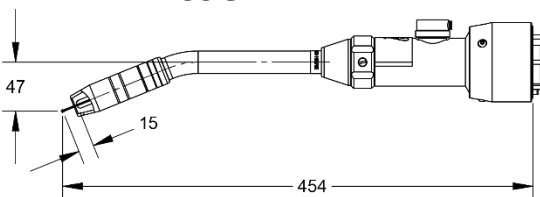
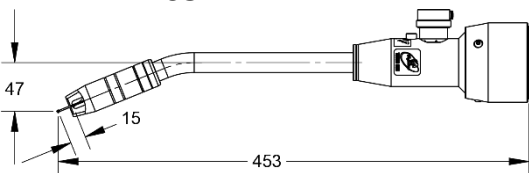
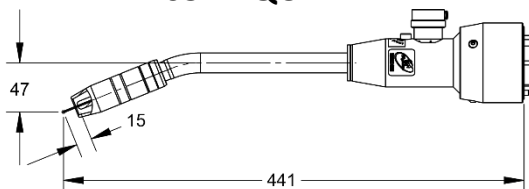
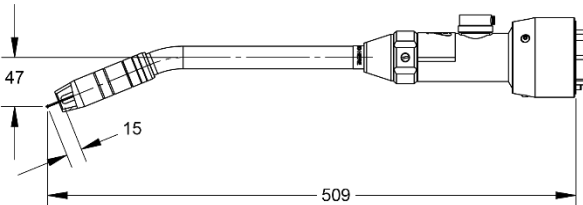

### 22 Degree Necks – Solid Mount

TOUGH GUN™ ThruArm™ G2 Series	TOUGH GUN™ TA3 MIG Gun
<p><b>59G22</b></p> 	<p><b>405-22QC</b></p> 
<p><b>59G22L</b></p> 	<p><b>405-22QCL</b></p> 
<p><b>59G22L1</b></p> 	<p><b>405-22QCL1</b></p> 

# TOUGH GUN™ TA3 Robotic Air-Cooled MIG Gun

## Cross Reference Configurations

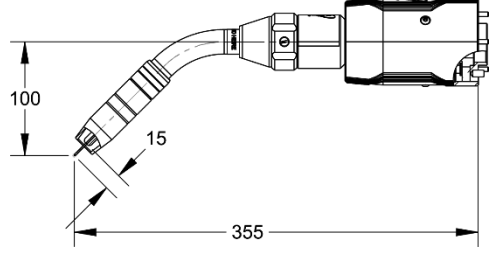
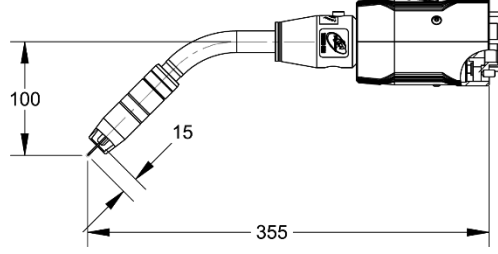
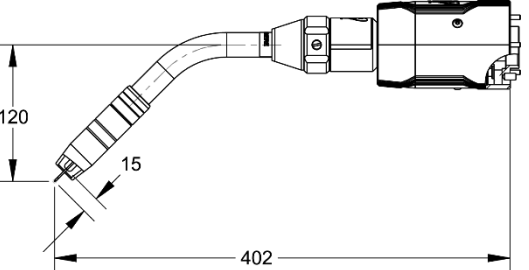
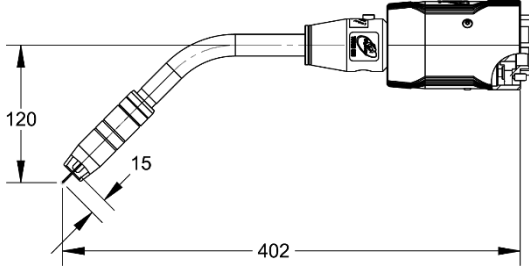
### 22 Degree Necks – Solid Mount with Wire Brake

TOUGH GUN™ ThruArm™ G2 Series	Direct Replacement	TOUGH GUN™ TA3 MIG Gun
<p><b>59G22</b></p> 	<p><b>405-WB22</b></p> 	<p><b>405-22QC</b></p> 
<p><b>59G22L</b></p> 	<p><b>405-WB22L</b></p> 	<p><b>405-22QCL</b></p> 
<p><b>59G22L1</b></p> 	<p><b>N/A</b></p>	<p><b>405-22QCL1</b></p> 

# TOUGH GUN™ TA3 Robotic Air-Cooled MIG Gun

## Cross Reference Configurations

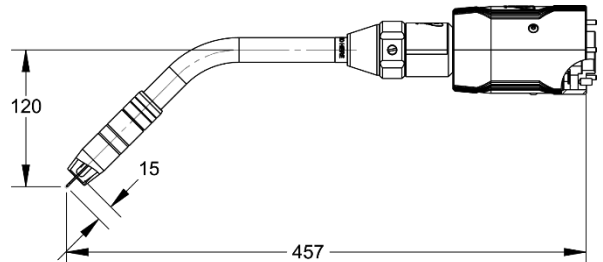
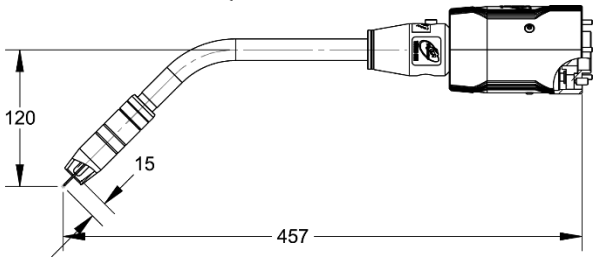
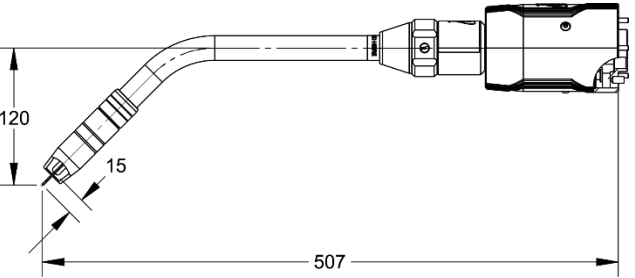
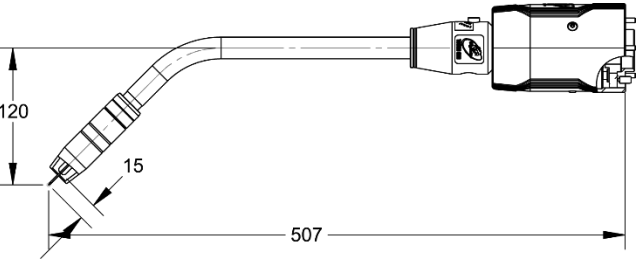
### 45 Degree Necks – Clutch

TOUGH GUN™ ThruArm™ G2 Series	TOUGH GUN™ TA3 MIG Gun
<p data-bbox="462 462 577 495"><b>59G45</b></p> 	<p data-bbox="1396 462 1554 495"><b>405-45QC</b></p> 
<p data-bbox="451 836 588 868"><b>59G45L</b></p> 	<p data-bbox="1386 836 1564 868"><b>405-45QCL</b></p> 

# TOUGH GUN™ TA3 Robotic Air-Cooled MIG Gun

## Cross Reference Configurations

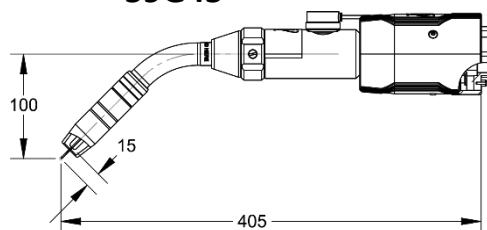
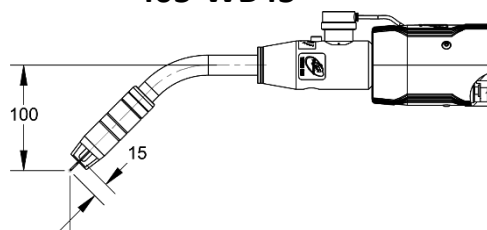
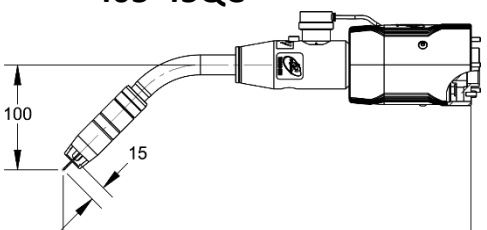
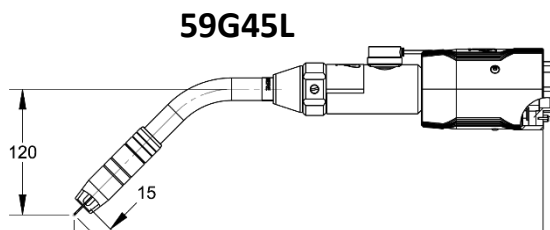
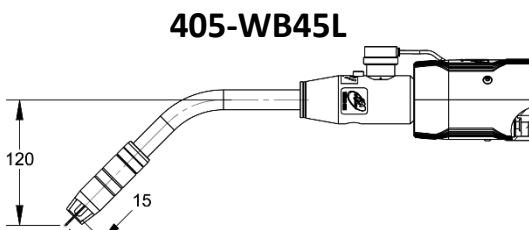
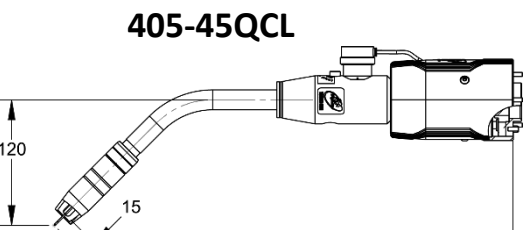
45 Degree Necks – Clutch (Continued)

TOUGH GUN™ ThruArm™ G2 Series	TOUGH GUN™ TA3 MIG Gun
<p data-bbox="451 462 588 495"><b>59G45L1</b></p> 	<p data-bbox="1375 462 1564 495"><b>405-45QCL1</b></p> 
<p data-bbox="451 852 588 885"><b>59G45L2</b></p> 	<p data-bbox="1375 852 1564 885"><b>405-45QCL2</b></p> 

# TOUGH GUN™ TA3 Robotic Air-Cooled MIG Gun

## Cross Reference Configurations

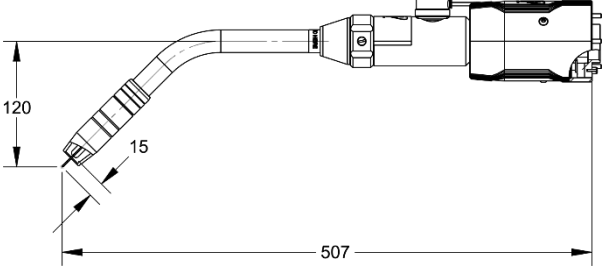
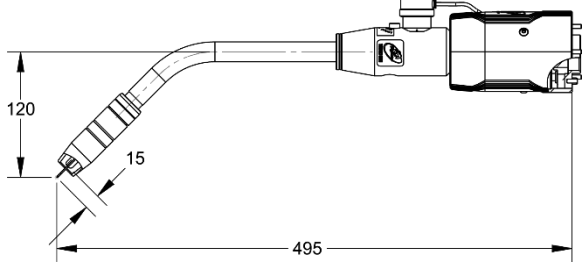
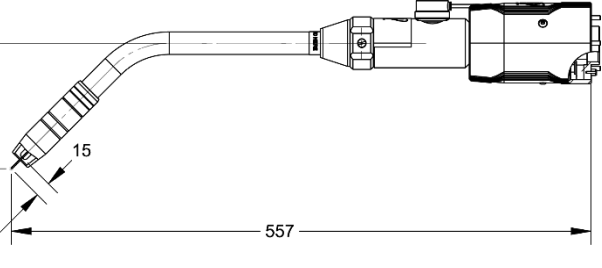
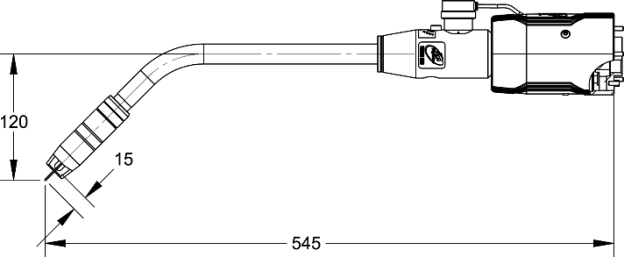
45 Degree Necks – Clutch with Wire Brake

TOUGH GUN™ ThruArm™ G2 Series	Direct Replacement	TOUGH GUN™ TA3 MIG Gun
<p><b>59G45</b></p> 	<p><b>405-WB45</b></p> 	<p><b>405-45QC</b></p> 
<p><b>59G45L</b></p> 	<p><b>405-WB45L</b></p> 	<p><b>405-45QCL</b></p> 

# TOUGH GUN™ TA3 Robotic Air-Cooled MIG Gun

## Cross Reference Configurations

45 Degree Necks – Clutch with Wire Brake *(Continued)*

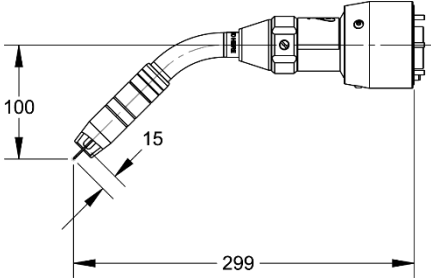
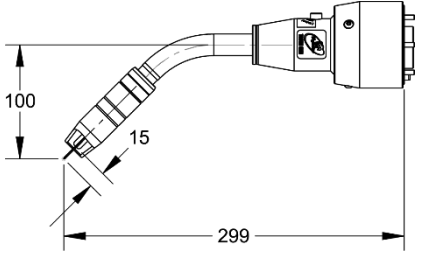
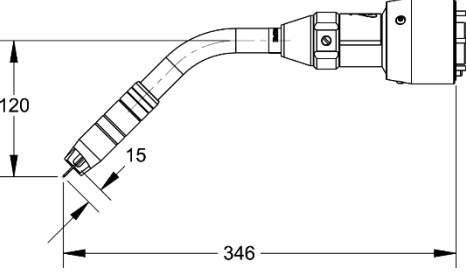
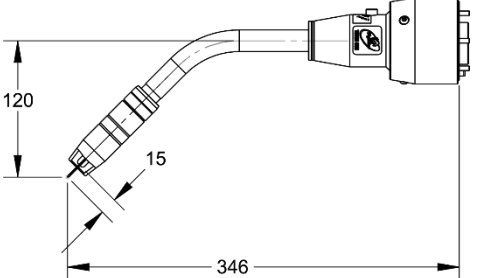
TOUGH GUN™ ThruArm™ G2 Series	Direct Replacement	TOUGH GUN™ TA3 MIG Gun
<p data-bbox="352 443 491 475"><b>59G45L1</b></p> 	<p data-bbox="1018 532 1087 565">N/A</p>	<p data-bbox="1581 443 1772 475"><b>405-45QCL1</b></p> 
<p data-bbox="352 844 491 876"><b>59G45L2</b></p> 	<p data-bbox="1018 932 1087 964">N/A</p>	<p data-bbox="1581 844 1772 876"><b>405-45QCL2</b></p> 



# TOUGH GUN™ TA3 Robotic Air-Cooled MIG Gun

## Cross Reference Configurations

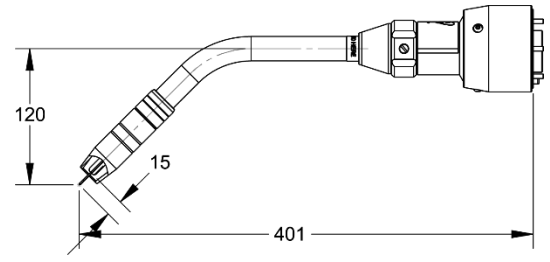
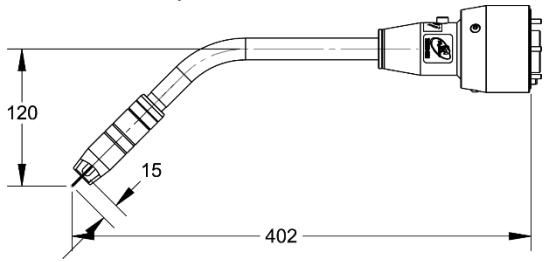
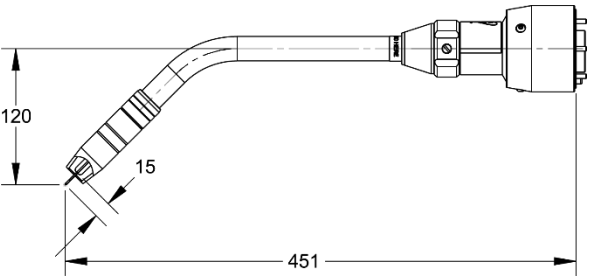
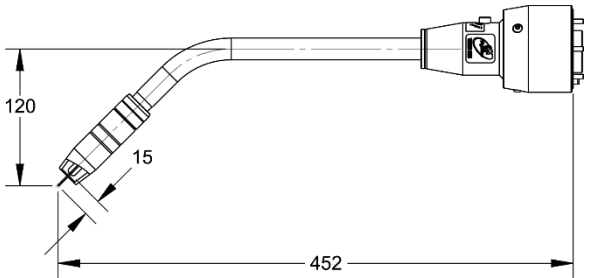
### 45 Degree Necks – Solid Mount

TOUGH GUN™ ThruArm™ G2 Series	TOUGH GUN™ TA3 MIG Gun
<p data-bbox="466 462 571 495"><b>59G45</b></p> 	<p data-bbox="1396 462 1549 495"><b>405-45QC</b></p> 
<p data-bbox="457 868 583 901"><b>59G45L</b></p> 	<p data-bbox="1386 868 1560 901"><b>405-45QCL</b></p> 

# TOUGH GUN™ TA3 Robotic Air-Cooled MIG Gun

## Cross Reference Configurations

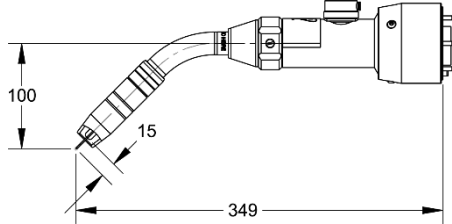
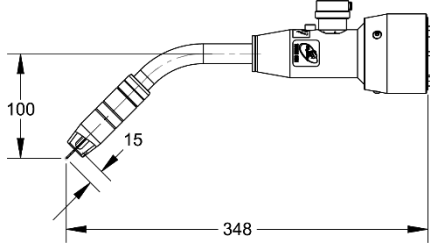
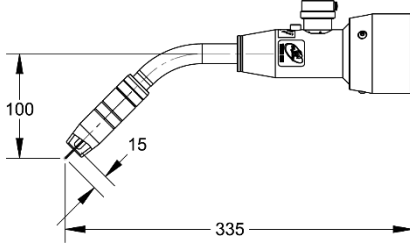
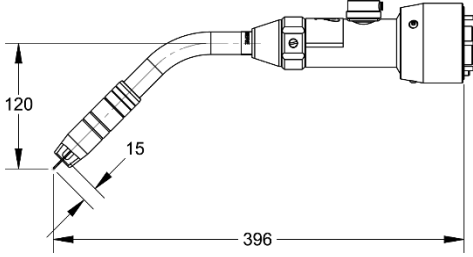
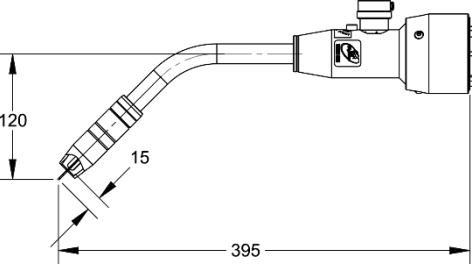
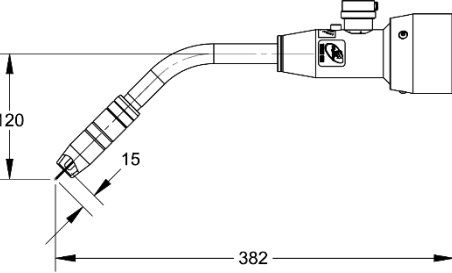
45 Degree Necks – Solid Mount *(Continued)*

TOUGH GUN™ ThruArm™ G2 Series	TOUGH GUN™ TA3 MIG Gun
<p data-bbox="451 462 598 495"><b>59G45L1</b></p> 	<p data-bbox="1375 462 1564 495"><b>405-45QCL1</b></p> 
<p data-bbox="451 852 598 885"><b>59G45L2</b></p> 	<p data-bbox="1375 852 1564 885"><b>405-45QCL2</b></p> 

# TOUGH GUN™ TA3 Robotic Air-Cooled MIG Gun

## Cross Reference Configurations

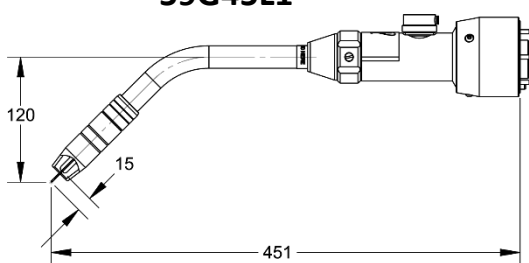
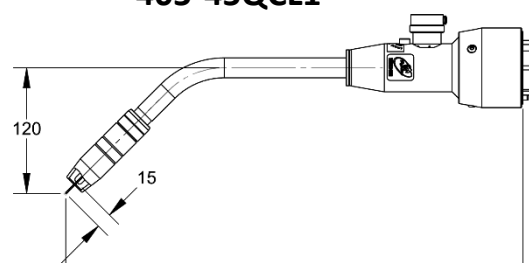
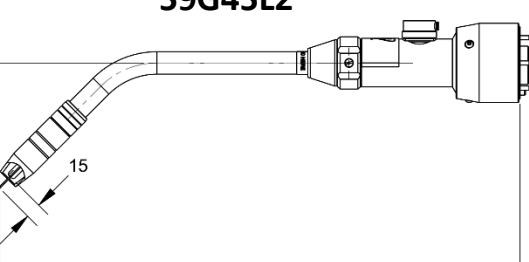
### 45 Degree Necks – Solid Mount with Wire Brake

TOUGH GUN™ ThruArm™ G2 Series	Direct Replacement	TOUGH GUN™ TA3 MIG Gun
<p><b>59G45</b></p> 	<p><b>405-WB45</b></p> 	<p><b>405-45QC</b></p> 
<p><b>59G45L</b></p> 	<p><b>405-WB45L</b></p> 	<p><b>405-45QCL</b></p> 

# TOUGH GUN™ TA3 Robotic Air-Cooled MIG Gun

## Cross Reference Configurations

45 Degree Necks – Solid Mount with Wire Brake *(Continued)*

TOUGH GUN™ ThruArm™ G2 Series	Direct Replacement	TOUGH GUN™ TA3 MIG Gun
<p><b>59G45L1</b></p> 	<p>N/A</p>	<p><b>405-45QCL1</b></p> 
<p><b>59G45L2</b></p> 	<p>N/A</p>	<p><b>405-45QL2</b></p> 