

Bernard[®] Shortstub[™]

Stick Electrode Holder

Issued October 2023 • Index No.SS/1.6

Quick Specs

Capacity

400 amps
at 60% duty cycle

Electrode Size

1/16" - 1/4"
(1.6 mm - 6.4 mm)

Weight

17oz
(481 g)

Length

8 3/4"
(22 cm)

Cable Connection

Model "B" large ball point
screw connection

Cable Socket

19/32"
(1.5 cm)

Bernard's Shortstub stick electrode holder has maintained its time-tested design for decades.

Electrodes can be used to within one inch of the high heat, high impact head compared with the normal three inches of the electrode that is leftover when using a typical tong-type holder.

Bernard Shortstub greatly improves productivity because it is designed for quick, easy installation of electrodes and it is built to last with a proven high impact, high heat replaceable head.

Over 2,000 pounds of gripping pressure enables the electrode to be bent to a desired shape for access to difficult welds.



Part Number: 40B

Made with
Pride and without
Compromise in the **USA**



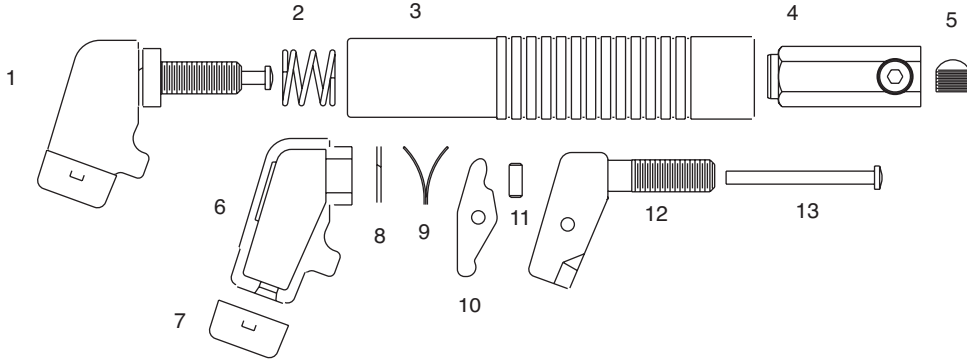
Bernard

A Division of Miller Electric Mfg. LLC.
449 West Corning Road
Beecher, Illinois 60401 USA

Phone: 1-855-MIGWELD (644-9353) (US & Canada only)
1-519-737-3000 (International)
Fax: 708-946-6726
For more information, visit us at Tregaskiss.com

Replacement Parts List

40B Shortstub™



1. Head Assembly	K40	9. V Jaw Spring	V4
2. Coil Spring	2500012P	10. Jaw	J4
3. Handle (molded)	MH4	11. Jaw Pin	JP4
4. Connector Body	B37	12. Head	H4
5. Ball Point Set Screw	B33P	13. Pressure Pin	PP4P
6. Head Insulator (Pair)	EL		
7. Boot	BB4		
8. Snap Ring	SR4		

Brand and product names shown above are trademarks of their respective owners.

Subject to Change – The information presented in this spec sheet is accurate to the best of our knowledge at the time of printing. Please visit Tregaskiss.com for the most up-to-date information.

Distributed By: